

Wide-angle reflection mirror

Reflective Fresnel wide-angle mirror can serve following purposes:

Banks ATM, bank window for security and other fields.

It is designed with light weight, compact size, broad visualization in scope, and high durability to cope with external impacts.

Features:

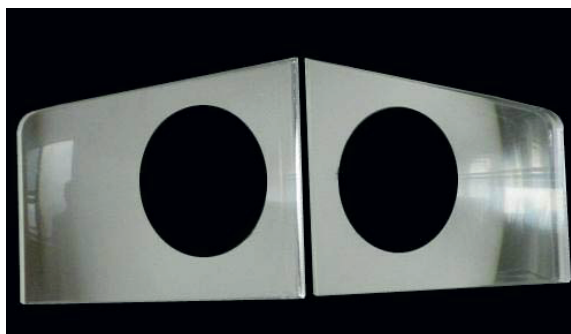
1. Clear reflection image and less deformation.
2. wide viewing angle : visualization angle of 100 degrees, upper and lower viewing angle of 50 degrees.
3. strengthened surface coating process, increased hardness, anti-weathered, anti-UV, anti-aging, scratch-resistant :
Superior performance with protective aluminum surface spray paint, waterproof, moisture-proof, apply to various environmental.
4. wide-angle mirrors the back of double-sided adhesive, easy to use, using the adhesive stickers on backside

Installation methods:

1. wide-angle mirrors must be affixed in the absence of the bumpy surface.
Prior wipe dirt, moisture, oil, dried.
2. and then strip off the paper on the backside of the wide-angle mirror.
3. attach the wide-angle mirrors onto desired position with uniform compression on the surface.
4. clean the surface with clean cotton cloth with neutral detergent if possible.

Note:

1. no sharp objects described by wide-angle mirror surface.
2. the application of environmental temperature: $-30\text{ }^{\circ}\text{C}$ to $+70\text{ }^{\circ}\text{C}$.
3. no bending or wide-angle mirrors to any other external forces.
4. with wide-angle mirrors on the cloth wipe dust.
5. Peel off the sticker paper with caution, otherwise it will affect the level of adhesion
6. Do not attach to the human skin.

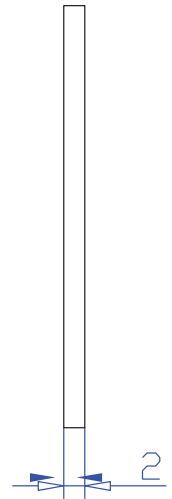
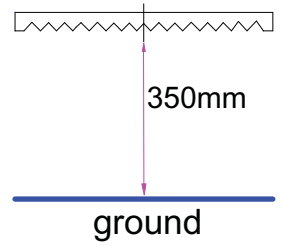
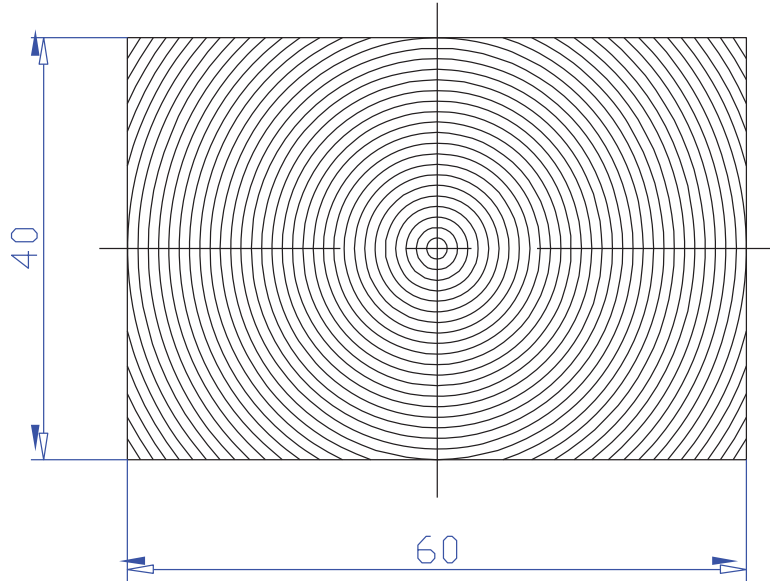


--
 Point of Contact
 Director
 Myung Joong KIM
 kim.diypro@gmail.com
 +82-70-7552-9006

RS350-40

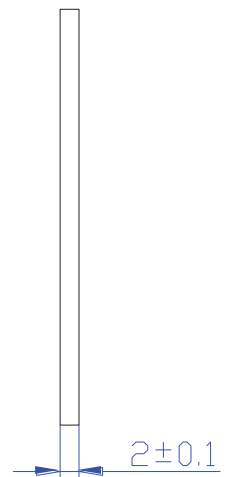
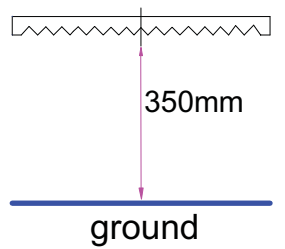
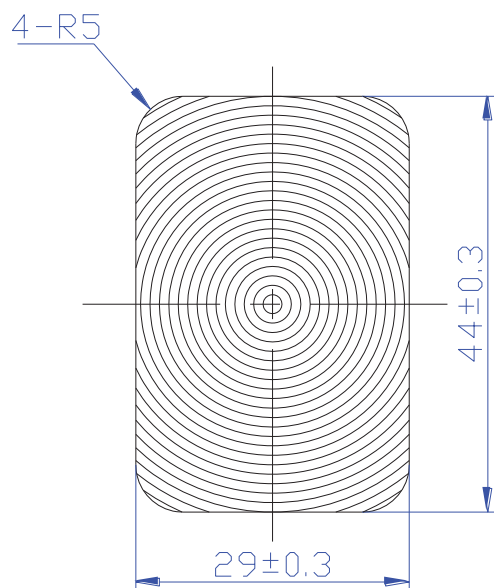


FOCUS	350
PITCH	0.3
MATERIAL	PMMA
UNIT	mm
TYPE	



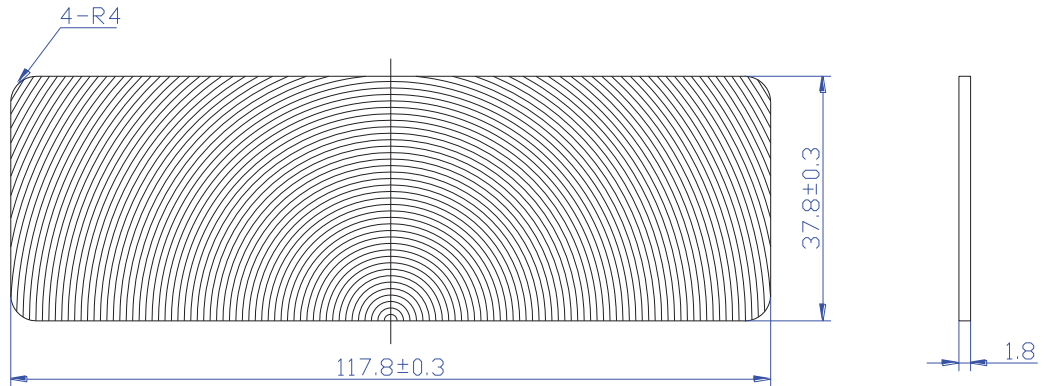
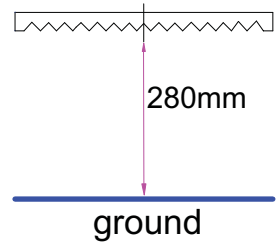
RS350-44

FOCUS	350
PITCH	0.35
MATERIAL	PMMA
UNIT	mm
TYPE	



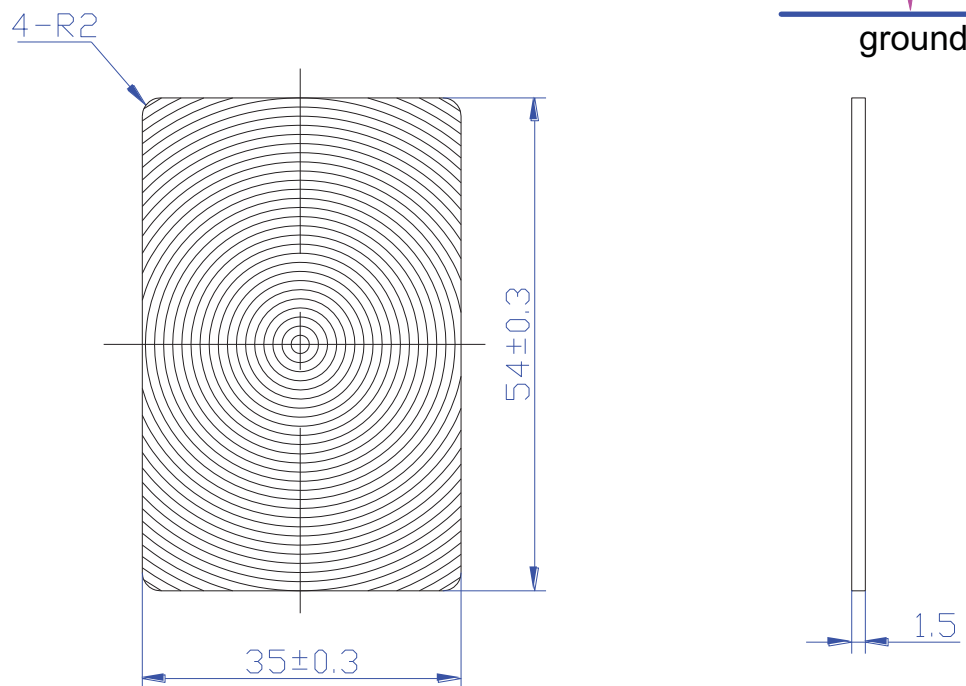
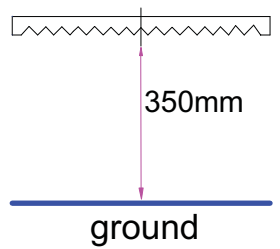
RS280-38

FOCUS	280
PITCH	0.3
MATERIAL	PMMA
UNIT	mm
TYPE	



RS350-54

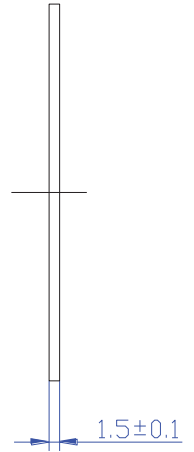
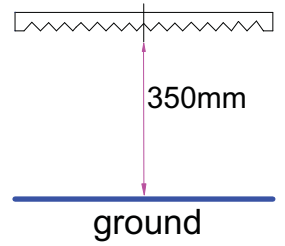
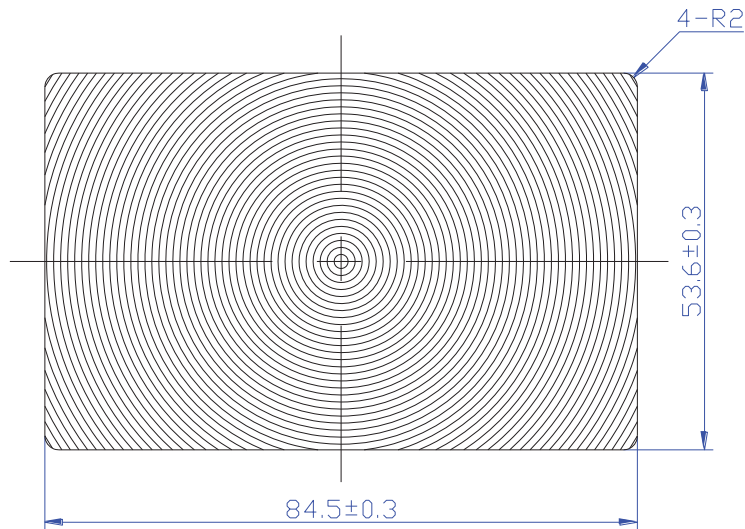
FOCUS	350
PITCH	0.35
MATERIAL	PMMA
UNIT	mm
TYPE	



RS350-53

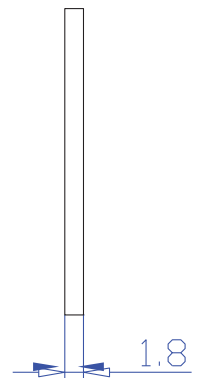
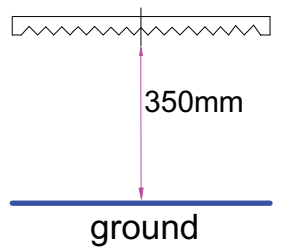
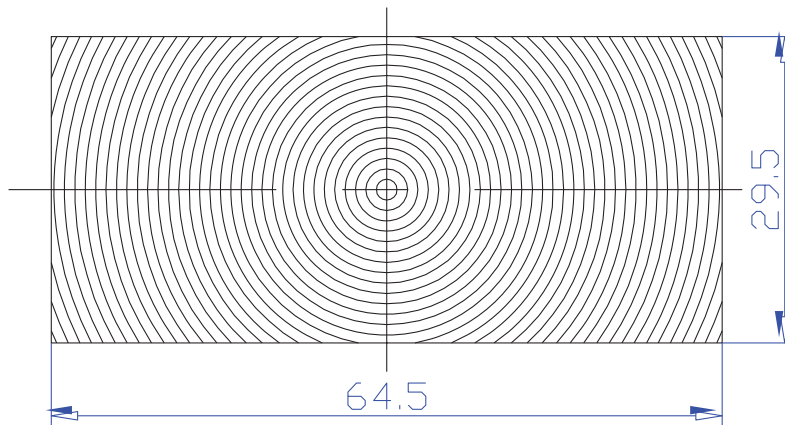


FOCUS	350
PITCH	0.3
MATERIAL	PMMA
UNIT	mm
TYPE	



RS350-30

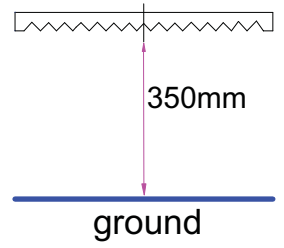
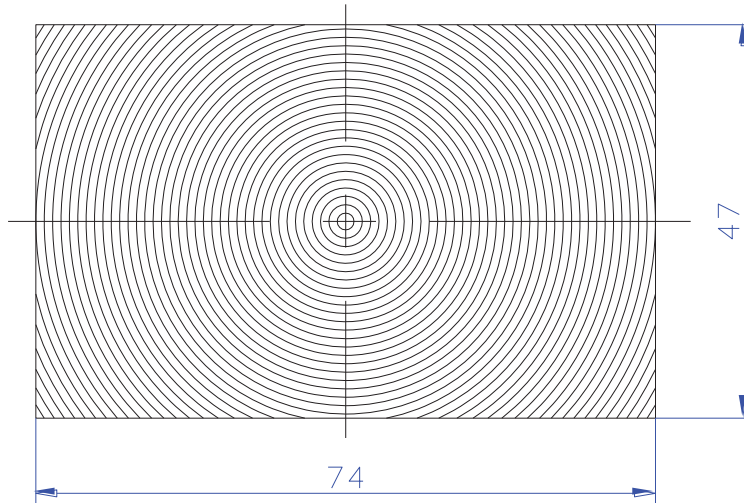
FOCUS	350
PITCH	0.35
MATERIAL	PMMA
UNIT	mm
TYPE	



RS350-47

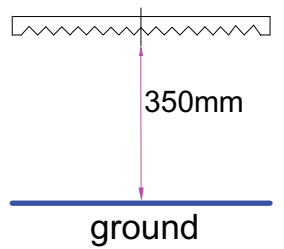
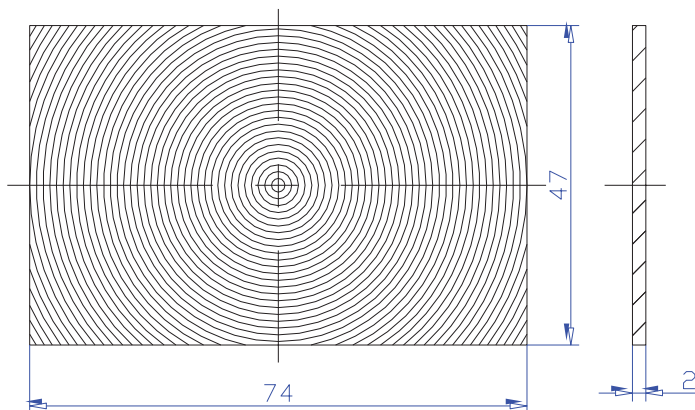


FOCUS	350
PITCH	0.3
MATERIAL	PMMA
UNIT	mm
TYPE	



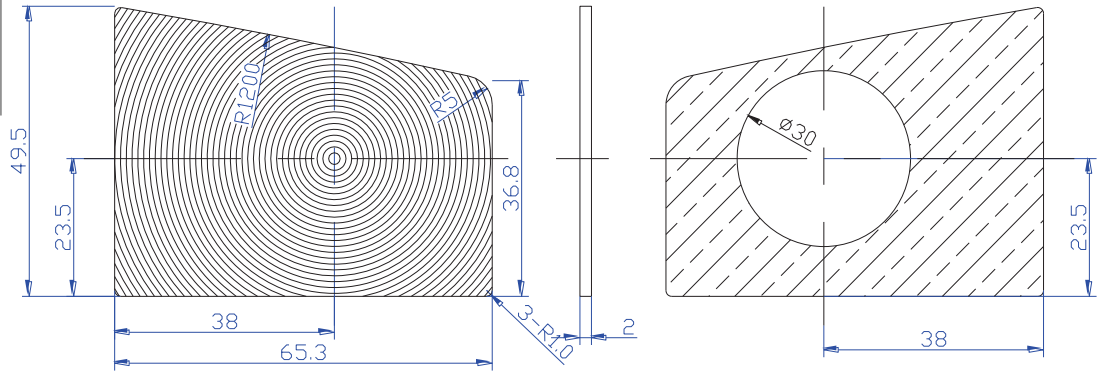
RS350-B47

FOCUS	350
PITCH	0.35
MATERIAL	PMMA
UNIT	mm
TYPE	



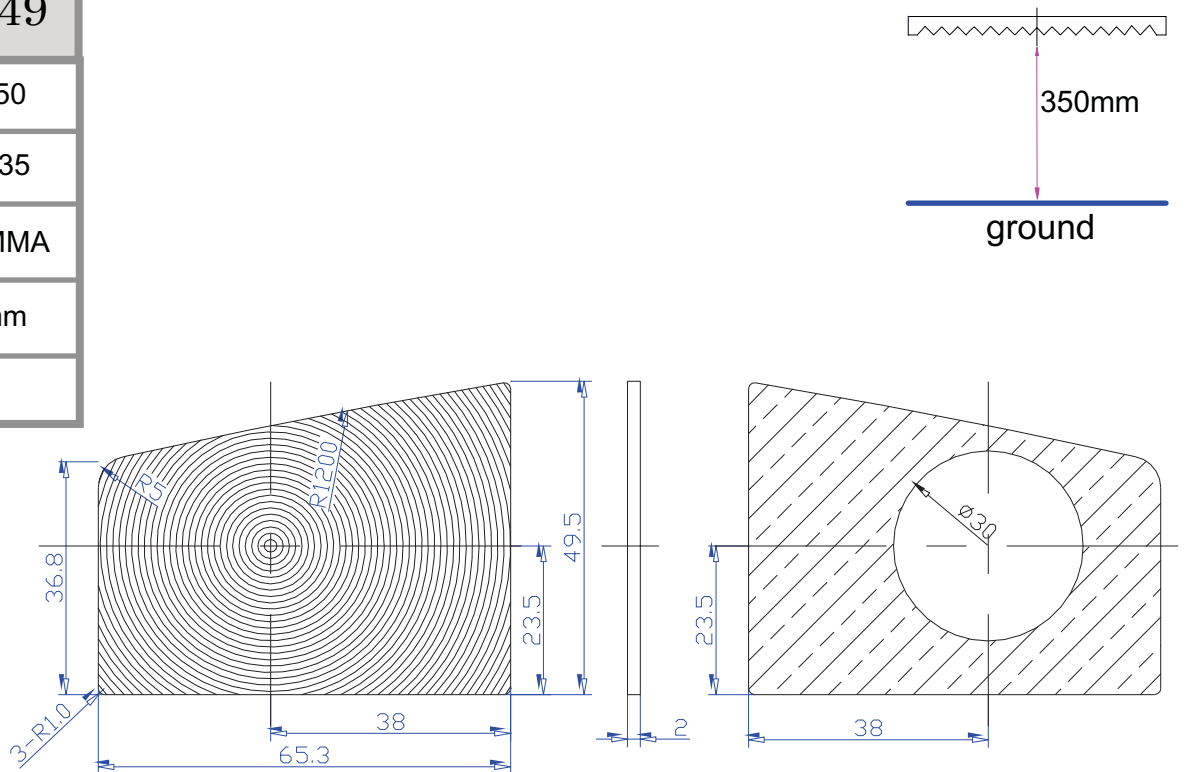
RT350-49

FOCUS	350
PITCH	0.3
MATERIAL	PMMA
UNIT	mm
TYPE	



RT350-R49

FOCUS	350
PITCH	0.35
MATERIAL	PMMA
UNIT	mm
TYPE	



Wide-angle rear-view mirror

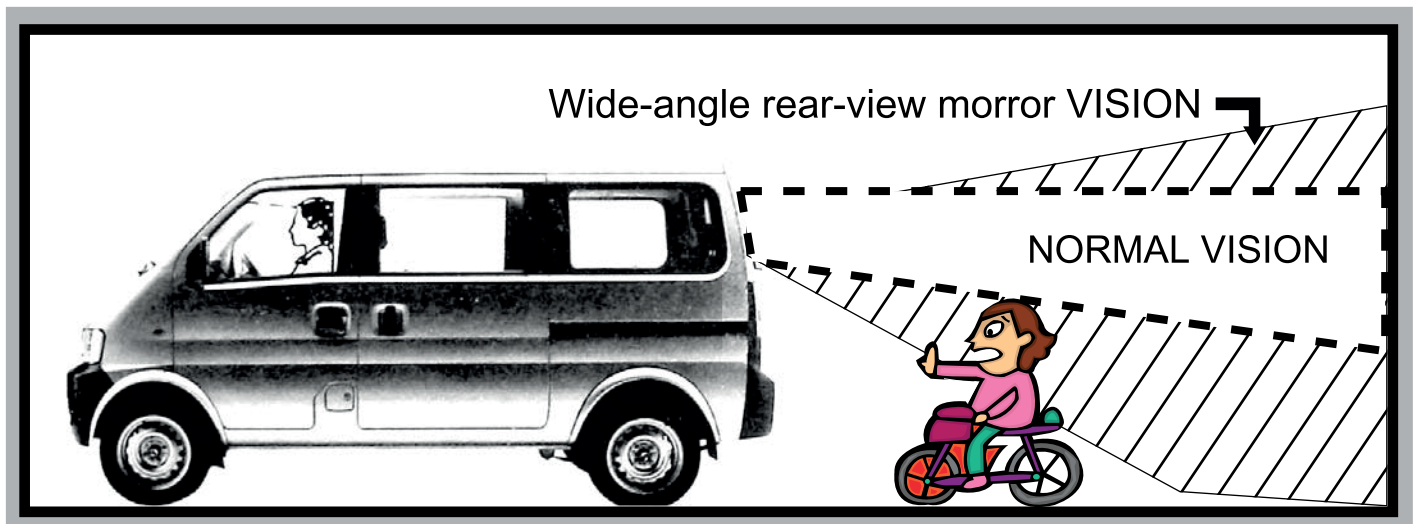
Purpose: This lens is applicable to motor vehicles with hatchback design, such as trucks, two boxes of household cars, buses, four-wheel-drive off-road.

With the new lens affixed to the driver's side window after window of the medial or through it, the driver is able to see the original rear image, without turning back and look into rearview mirror, which has blind spots on the obstacles.

Installation methods:

1. As the wide viewing angles lens is made by polyethylene material, water is to be used as attaching bond agent onto clean windows.
2. After attaching the lens on to mirror, eliminate air bubbles by swiping pressure bar the lens onto the attached surface
3. Repeat the above steps until all air bubbles are eliminated
4. Leave the Lens for 24 hours until it is completely dried.
5. Gently clean up the surface with clean cotton cloth.

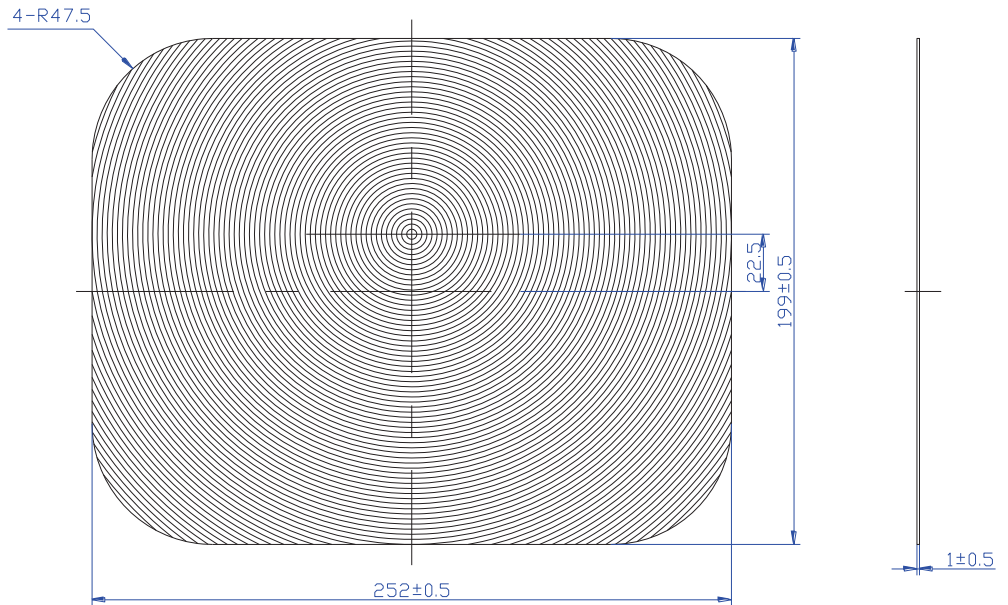
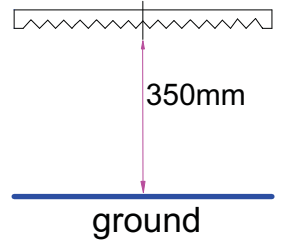
After it is fixed to the position, it will be applicable for the use and will not be detached unless the user intends to peel it off . It will not harm your glass.



PR350-199



FOCUS	350
PITCH	0.3
MATERIAL	PVC
UNIT	mm
TYPE	



Contact us
Tel. 82-2-3472-0673
Fax. 82-2-522-9020
Email. Kim.diypro@gmail.com
URL. www.diypro.co.kr

